

YoCam

USER MANUAL

MOSTEADY

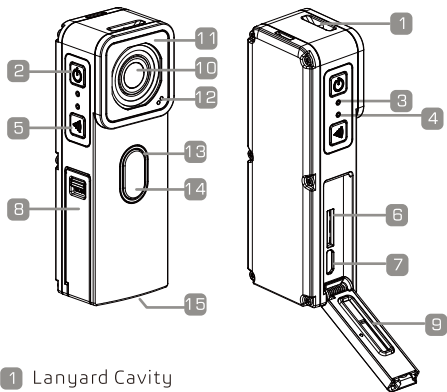
Gyro Sensor Based Image Stabilization



/TABLE OF CONTENTS

THE BASICS _____	01
GETTING STARTED _____	02
ADVANCED MODES _____	17
ADVANCED SETTINGS _____	27
WIRELESS MODES _____	29
REMOTE SHARING _____	31
YOYO REMOTE _____	35
TRANSFERRING FILES _____	36
BATTERY _____	38
MOUNTS & ACCESSORIES _____	40
TROUBLESHOOTING _____	41
CUSTOMER SUPPORT _____	42

/THE BASICS

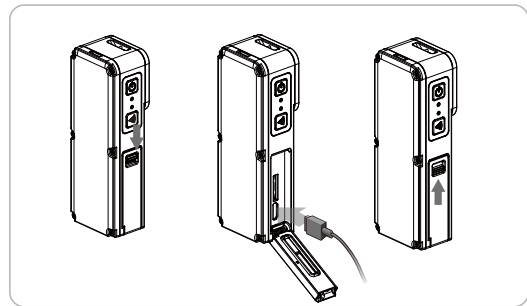


- 1 Lanyard Cavity
- 2 Power Button
- 3 Power LED
- 4 Wireless LED
- 5 Wireless Button
- 6 microSD Card Slot
- 7 micro-USB Port
- 8 I/O Door
- 9 Sealing Gasket
- 10 Lens
- 11 Lens Protector
- 12 Microphone Holes
- 13 Shutter LED
- 14 Shutter Button
- 15 1/4" Screwhole Mount

/GETTING STARTED

CHARGING THE BATTERY

1. Open the I/O Door.
2. Plug in the MicroUSB cable to YoCam's MicroUSB Port.
3. Charge the battery by connecting the other end of the cable to a computer or any USB wall charger using the included USB cable. When charging, the Power LED & Shutter LED will blink RED slowly (breathing like effects) and turn off both LEDs when charging is complete.



/GETTING STARTED

The built-in lithium-ion battery comes partially charged. No damage occurs to the camera or battery if used prior to a full charge. Please read more battery information at BATTERY section.

When charging through a computer, for best charging results, please ensure that your computer is connected to its power source. If charging doesn't start, please use another USB port.



WARNING!

Using cheap/counterfeit wall chargers could result in fire or leakage. Please ensure you use a high quality charger with the output of 5V 1A. If you do not know the voltage and current of your charger (usually embossed or a sticker on the charger itself), use the included USB cable to charge the camera from your computer.

Use caution when using your YoCam as part of your active lifestyle. Always be aware of your surroundings to avoid injury to yourself and others.

Abide by all local laws when using your YoCam and related mounts and accessories, including all privacy laws, which may restrict recording in certain areas

/GETTING STARTED

INSERTING/REMOVING MICROSD CARDS

YoCam is compatible with MicroSD, MicroSDHC and MicroSDXC memory cards with maximum capacity to 64GB (sold separately). The minimum ratings should be Class 10 or UHS-1 with minimum write speed of 30mb/s.

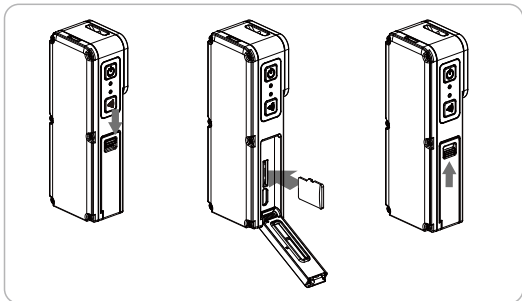
TIPS: Always turn off your camera when inserting or removing the camera. MicroSD slot is not plug & play slot, neglecting to do so may damage the MicroSD card and/or the data (photos & videos) within the card.

/GETTING STARTED

To Insert the MicroSD Card:

With the camera lens facing yourself, slide the memory card in the card slot with the card label facing the camera. Push lightly all the way in until you hear it clicking into place.

TIPS: *The MicroSD Slot has a mechanism that prevents the card from inserting the wrong way, if you've inserted the correct way, it will be easily pushed in and clicking into place, if you feel any resistance or the card is not aligning properly, then you are inserting the card in the wrong orientation.*



/GETTING STARTED

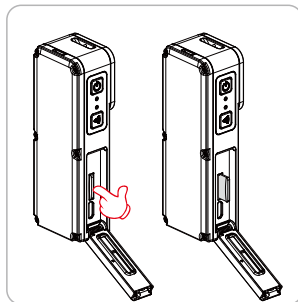


WARNING!

When the card is not easily inserted, DO NOT FORCE the card into place, you will damage the card slot and the card may be stuck in the port and not be able to be retrieved out from the slot again.

To Remove the MicroSD Card:

Using your fingernail, push the edge of the MicroSD card and lightly press it further into the camera and remove your finger, the card will spring out enough to be removed.



NOTE:

Please always turn off your camera before inserting or removing a memory card. Please ensure your hands are dry and avoid touching the slots/ports with wet hands.

/GETTING STARTED

POWERING ON/OFF

To Power On:

Press & Hold the Power Button for 2 seconds. The Power LED will flash (red) with sound indicator emitting three beeps. When the Power LED shows a solid (red/blue) color, your camera is on.

To Power Off:

Press & Hold the Power Button for 2 seconds. The Power LED will flash (red) with sound indicator emitting 3 slow & 3 fast beeps.

NOTE: Please ensure that a memory card is inserted properly before turning on your camera. The camera will not work without a memory card inserted.

/GETTING STARTED

CAMERA DEFAULT SETTINGS

Using the YoCam alone without the APP, the camera uses the below default settings:

Sports-Video	1080p60, Auto-Rotate, Auto-White Balance
Car-Looping (Interval Video)	1080p30, 5 Minutes Interval, Auto-Rotate, Auto-White Balance
Selfie-Photo	4MP, Auto-Rotate, Auto-White Balance
Life Log (Interval Photo)	4MP, 5 Seconds Interval, Auto-Rotate, Auto-White Balance

To take pictures or record videos, turn on your YoCam and depending on the last mode (video/photo), the Power LED will indicate the mode you are in, either in Video (RED) or Photo (BLUE)

TIPS: The default settings are changed according to the last settings you have saved and used for the above 4 modes. To learn more about changing default settings, please check Advance Settings section

/GETTING STARTED

In Video Mode (Power LED RED):

Press Shutter to start recording in Sports-Video Mode.

Press & Hold Shutter for 2 seconds to start recording in Car-Looping Mode.

To end recording, simply press Shutter Button once.

NOTE: When you are recording in Car-Looping Mode, after you end recording, it will return to Sports-Video Mode. If you wish to continue using Car-Looping Mode, use the above method again.



/GETTING STARTED

In Photo Mode (Power LED BLUE)

Press Shutter to start recording in Selfie-Photo Mode.

Press & Hold Shutter for 2 seconds to start recording in Life Log Mode.

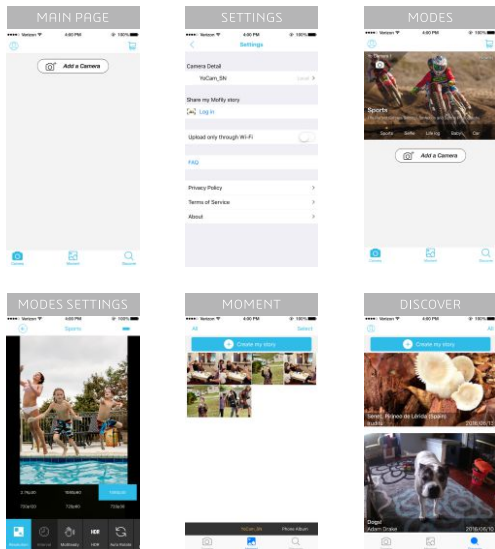
To end Life Log Mode, simply press Shutter Button once.

NOTE: When you are taking pictures with Life Log Mode, after you end the mode, it will return to Selfie-Photo Mode. If you wish to continue using Life Log Mode, use the above method again.



/GETTING STARTED

MOFILY YOCAM APP GUIDE



/GETTING STARTED

SETUP MOFILY YOCAM APP

Please download the APP by scanning the below QR Codes or use your respective APP Store and search for **Mofily YoCam**

Google Play



Apple Store



/GETTING STARTED

Section A: Connecting to your smartphone

To setup YoCam APP to be used with your camera, first, you need to connect your camera to your smartphone (Android/iOS). Please follow the below instructions:

1. Turn on your YoCam
2. Turn on the Wireless on your YoCam (the Wireless LED should be Blue)
3. Go to your Smartphones Wi-Fi settings, look for YoCam_XXXXX and tap on it to connect, password is <12345678 (default)> and connect.
4. Please make sure that your smartphone indicates 'Connected'

NOTE: Android users (especially Nexus smartphones), please note that depending on the version of your Android OS, it may or may not inform you about 'No Internet Connection' issue when connected to YoCam. It may ask you if you would like to continue using this Wi-Fi connection, please ensure that you choose YES or Continue. If you didn't receive such notification from your smartphone, please ignore.

/GETTING STARTED

Section B: Adding your camera to the APP

After you have successfully connected your smartphone to your camera using the steps indicated in Section A, please open Mofly YoCam APP on your smartphone and follow the below instructions:

1. On the Main screen, please tap on 'Add YoCam'
2. Tap on 'Local', and input the password: 12345678 (default) and tap confirm
3. It will ask now if you would like to setup remote sharing for this YoCam, to start immediately using your YoCam, tap on 'Not Now'.

NOTE: To setup remote sharing/view at later stage, please check the REMOTE SHARING

/GETTING STARTED

Section C: Live View and Advanced Modes

Once your camera is listed in the APP, you should see a colored image of the default Sports Mode. To live view and remote control your recordings, simply tap on the colored image. To change to different modes, simply tap on the wording of the mode and then tap on its respective image to enter the live view of that mode.

Each mode has different sub-modes and different settings, to learn more about these, please go to the **Advanced Modes** section.

USING CAMERA UNDERWATER

Your camera is IP68 rated according to IEC standard 60529. The camera can withstand protection from dust & water, with depth of 10 meters for up to 1 hour duration.

Before & after you've used your camera underwater or in contact with water, please ensure to follow the below steps to ensure the safety of your camera and avoid water contact with your camera's port.

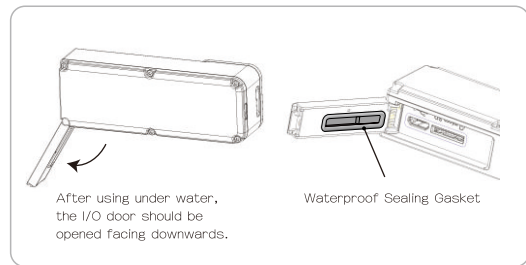
/GETTING STARTED

Before Submersion:

1. Open the I/O door to ensure there are no small particles inside the compartment which may cause sealing problems when submerged into water.
2. Close the I/O door and lock it properly and securely.

After Submersion:

1. Open the I/O door with the door facing downwards
2. Clean the sealing gasket around the ports carefully, and ensure there are no water contact on the ports.
3. Close and lock the I/O door.



/ADVANCED MODES

Other than the default 4 sub-modes mentioned in the previous **GETTING STARTED** section, using your camera with Mofly YoCam APP provides you more advanced modes and advanced settings you can choose from:

SPORTS MODE

Sports mode contains Video (default), Time Lapse, Slow Motion, Video&Photo, Photo, Burst

Capture Mode	Description
Video (default)	Captures video
Time Lapse	Creates video from frames captured at specific intervals. Time Lapse Video is captured without audio.
Slow Motion	Captures video in slow motion. Only available in 720p120. EIS is not available on this mode
Video&Photo	Simultaneously captures both video and interval photos. You can set the photo interval in the Mode Settings
Photo*	Captures photo. EIS is not available on this mode
Burst*	Captures burst photos at 3/5/10 photos per second. The default is 5 photos/second. EIS is not available on this mode

/ADVANCED MODES



Timelapse	Resolution Interval MoSteady HDR Auto Rotate White Balance EV
Slow Motion	MoSteady HDR Auto Rotate White Balance EV
Video	Resolution MoSteady HDR Auto Rotate White Balance EV
Video&Photo	Resolution Interval MoSteady HDR Auto Rotate White Balance EV
Photo	Resolution Interval HDR Auto Rotate White Balance EV
Burst	Resolution Interval HDR Auto Rotate White Balance EV

/ADVANCED MODES

*Photo/Burst Mode are not Video Modes, but they are there for quick access under the same Sports mode. There are no difference between the same sub-modes available in some of the Main Modes. Example: Sports-Photo uses the same settings on Selfie-Photo and vice-versa, the same applies when you change the settings in one, and it is affected on the other.

Recording Video:

When your camera is connected to the APP, whichever mode your APP is in, pressing the shutter once will activate such selected mode & sub-mode. Or you can simply choose to tap on the big red 'Recording' icon on the APP any time to start recording your videos.

Tips: Alternatively, this mode can be accessed directly when your camera is not connected to your smartphone, to do this, simply go to Video Mode (RED) and press shutter button.

To select different Video Modes through the APP (Video, Time Lapse, Slow Motion & Video&Photo), tap on their respective text and tap on 'Record' icon to start recording in that mode and sub-mode,

/ADVANCED MODES

SELFIE MODE

Selfie mode contains Photo (default), Video&Photo, Video

Capture Mode	Description
Photo (default)	Captures photo. EIS is not available on this mode
Video&Photo	Simultaneously captures both video and interval photos. You can set the photo interval in the Mode Settings
Video*	Captures video



/ADVANCED MODES

*Video Mode is not Photo Modes, but it is there for quick access under the same Selfie mode. There is no difference between the same sub-modes available in some of the Main Modes. Example: Sports-Photo uses the same settings on Selfie-Photo and vice-versa, the same applies when you change the settings in one, and it is affected on the other.

Taking Photo:

When your camera is connected to the APP, whichever mode your APP is in, pressing the shutter once will activate such selected mode & sub-mode. Or you can simply choose to tap on the big red 'Recording' icon on the APP any time to start taking your photos.

Tips: Alternatively, this mode can be accessed directly when your camera is not connected to your smartphone, to do this, simply go to Photo Mode (BLUE) and press shutter button.

To select different Selfie Modes through the APP (Photo, Video&Photo, Video), tap on their respective text and tap on 'Record' icon to start recording in that mode and sub-mode.

/ADVANCED MODES

LIFE LOG MODE

Life Log Mode contains Life Log (default), Photo, Burst

Capture Mode	Description
Life Log (default) photo	Captures photos in an interval. EIS is not available on this mode. Takes one every 5/10/30/60 seconds. The default is 5 seconds
Photo*	Captures photo. EIS is not available on this mode
Burst*	Captures burst photos at 3/5/10 photos per second. The default is 5 photos/second. EIS is not available on this mode



/ADVANCED MODES

*Photo/Burst Mode are not Life Log Modes, but it is there for quick access under the same Life Log mode. There is no difference between the same sub-modes available in some of the Main Modes. Example: Sports-Photo uses the same settings on Selfie-Photo and vice-versa, the same applies when you change the settings in one, and it is affected on the other.

Taking Life Log Pictures:

When your camera is connected to the APP, whichever mode your APP is in, pressing the shutter once will activate such selected mode & sub-mode. Or you can simply choose to tap on the big red 'Recording' icon on the APP any time to start taking your photos.

Tips: Alternatively, this mode can be accessed directly when your camera is not connected to your smartphone, to do this, simply go to Photo Mode (BLUE) and long press shutter button for over 2 seconds.

To select different Life Log Modes through the APP (Life Log, Photo, Burst), tap on their respective text and tap on 'Record' icon to start recording in that mode and sub-mode.

/ADVANCED MODES

BABY MODE

Baby Mode is a simple monitoring mode for you to use your camera to monitor your Baby, Pets or just for simple security monitor. Recording Video & Taking Pictures are not available on this mode.



Watch

Auto Rotate

White Balance

EV

/ADVANCED MODES

CAR MODE

Car mode is a single Looping Mode.

Capture Mode	Description
Looping Mode	Capturing videos in intervals of 5/10 minutes per each saved file. 5 minutes per file is the default.



Looping

Resolution Interval MoSteady
HDR Auto Rotate White Balance
EV

Taking Looping Video:

When your camera is connected to the APP, whichever mode your APP is in, pressing the shutter once will activate such selected mode & sub-mode. Or you can simply choose to tap on the big red 'Recording' icon on the APP any time to start taking your photos.

Tips: Alternatively, this mode can be accessed directly when your camera is not connected to your smartphone, to do this, simply go to Video Mode (RED) and long press shutter button for over 2 seconds.

/ADVANCED MODES

/ADVANCED SETTINGS

Entering each Main Mode (Sports, Selfie, Life Log, Baby & Car), there are advanced settings available for you to choose from for each and every Sub-Mode (Videos, Photo, Video&Photo, Burst, Looping and etc...).

Advance Settings	Settings	Sub-Modes Availability	Examples/Exceptions
Resolution (Video)	2.7k30, 1080p60, 1080p30, 720p120, 720p60, 720p30	Video, Timelapse, Video&Photo, Looping, Slow Motion*	Slow Motion Mode is fixed at 720p120 Video&Photo the Photo is fixed at 4MP
Resolution (Photo)	4MP, 8MP	Photo, Life Log, Burst	
Interval (Video)	3s, 10s, 30s, 60s	Time Lapse Only	One frame every 3 seconds
	5s, 10s, 30s, 60s	Life Log Only	One picture every 5 seconds
	5min, 10min	Looping Only	Each file is saved at 5:00
Timer (Photo)	3s, 10s	Photo	Selfie Timer Shot at 3 seconds
Burst Interval	3/1s 5/1s, 10/1s	Burst Mode Only	Burst 3 pictures in 1 second
MoSteady (EIS)	On, Off	All Video Modes ONLY	All Resolution except 2.7k and Slow Motion Mode
High Dynamic Range (HDR)	On, Off	ALL MODES	
Auto-Rotate	On, Off	ALL MODES	
White Balance	Auto, Daylight, Cloudy, Fluorescent, Underwater	ALL MODES	
EV	+2.0, +1.5, +1.0, +0.5, +0.0, -0.5, -1.0, -1.5, -2.0	ALL MODES	

/ADVANCED SETTINGS

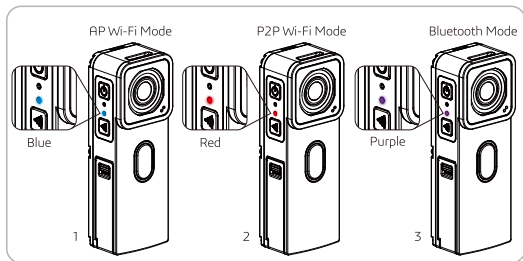
The 4 Modes (Sports-Video, Car-Looping, Selfie-Photo, Life Log) that can be activated without the APP when using the camera as stand-alone device, any settings you change through the APP will reflect its changes to the default settings listed in the GETTING STARTED section. Example: If you change through the APP the settings for Sports-Video to record videos at 2.7K, then all future recording on YoCam, wither through APP or when using the camera as a stand-alone device, the video will always be recorded with 2.7k resolution.

/WIRELESS MODES

The Wireless Button has three modes, AP Wi-Fi, P2P Wi-Fi & Bluetooth.

Mode	Description	LED Color	
1	AP Wi-Fi Mode	Connecting YoCam to directly to Smartphone	Blue ●
2	P2P Wi-Fi Mode	Connecting YoCam to Wi-Fi Router for Remote Sharing	Red ●
3	Bluetooth Mode	Connecting YoCam to YoYo Bluetooth Remote	Purple ●

Turning on will Active the first mode in the sequence above, pressing once will activate the next mode and so on. When reach to the end of the modes, it will circulate in the same sequence.



/WIRELESS MODES

Tips: To turn off Wireless, you can do so by pressing and holding Wireless Button for 2 seconds regardless which mode it is in. Turning on Wireless will always start with the first order, regardless of which mode you are in the last time.

/REMOTE SHARING

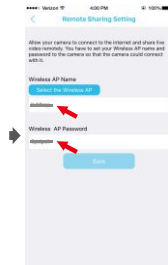
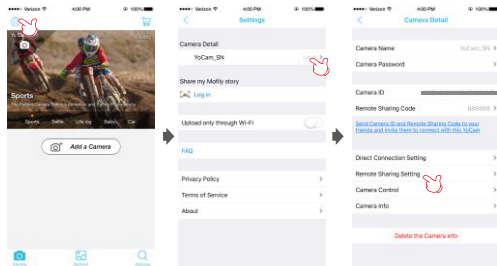
To start remote sharing, there are two parts that needs to be setup first for this to work, one is **REMOTE SHARING SETUP** and the other is **CONNECTING TO WI-FI ROUTER**. Additionally, to stream and view the live steam of YoCam, both ends (smartphone & YoCam) must be connected to internet connection (either data or Wi-Fi).

Please ensure your Smartphone is connected to your YoCam through AP Wi-Fi Mode first.

REMOTE SHARING SETUP

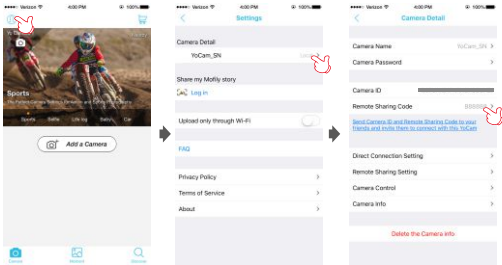
1. Settings (top left corner of APP main page) > Camera Detail> Remote Sharing Setting, here you need to select your Wi-Fi Router and input the password of your Wi-Fi Router. The Wi-Fi Router **MUST** be connected to the internet.

/REMOTE SHARING



(THROUGH MOFELY YOCAM APP)
/REMOTE SHARING

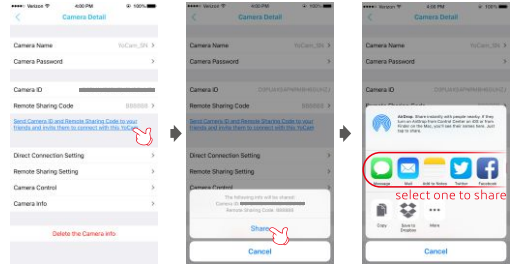
2. Setup your Remote Sharing Code, you can leave it in default or change it to your preference:
Settings (top left corner of APP main page) > Camera Detail> Remote Sharing Code



Tips: You do not need to add (and cannot add) the same YoCam to the same Smartphone again just for Remote View, the same camera added locally will change to Remote View Mode once your smartphone and the camera is connected to the internet.

(THROUGH MOFELY YOCAM APP)
/REMOTE SHARING

3. Write down or share your Camera ID & Remote Sharing Code by selecting the underlined blue colored text 'Send Camera ID and Remote Sharing Code to your friends and invite them to connect with this YoCam'



CONNECTING TO WI-FI ROUTER

1. Turn on your Wireless on your YoCam (Wireless LED BLUE)
2. Press once on Wireless button to change to P2P Wi-Fi Mode (Wireless LED RED)
3. The Wireless LED RED will start to flash as it searches for the Wi-Fi Router it was setup to connect

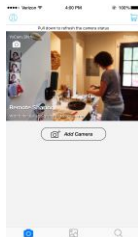
(THROUGH MOFIFY YOCAM APP)

/REMOTE SHARING

4. When the Wireless LED RED stops blinking and turns solid Wireless LED RED, your camera has connected to your assigned Wi-Fi Router.
5. Open your Mofily YoCam APP, make sure your smartphone is connected to the internet and on the main page, you should see Remote Sharing mode for your YoCam.



P2P Wi-Fi Mode



Remote Sharing Mode

TIPS: It may take a few refreshes before the APP detects the YoCam is online for Remote Sharing, if you still do not see the Remote Sharing Mode, please exit/close the APP and restart the APP again.

/YOYO BLUETOOTH REMOTE

On details of using the YoYo Bluetooth remote, please refer to its dedicated Quick Guide.

http://getyocam.com/YoYo_QuickGuide.pdf

http://getyocam.com/YoYo_UserManual_cht.pdf

The remote can only turn ON/OFF for MoSteady (EIS) and HDR in terms of settings, for all other settings, please ensure you do this through the Mofily YoCam APP.

If you are using your YoCam and have not changed any settings before through the Mofily YoCam APP, then all modes you activate from the YoYo Bluetooth remote will use the default settings mentioned **GETTING STARTED, ADVANCED MODES & ADVANCED SETTINGS**



/TRANSFERRING FILES

TRANSFERRING FILES TO COMPUTER

To play back your video and photos on a computer, you must first transfer these files to a computer. This can be done in one of the two ways:

Connecting YoCam Directly to your Computer:

1. Power on your camera by pressing & holding power button for 2 seconds.
2. Open the I/O Door and connect the MicroUSB cable (included) to the corresponding port.
3. Connect the other end to your computer.

If you are connecting this way the first time, please allow a minute for your computer to recognize the camera and install necessary drivers (if needed) so you can view the camera's storage.

NOTE: If Wireless is ON before connecting the camera to the computer, it will prevent the computer from properly recognizing the camera and its storage. Please ensure your Wireless is turned OFF when you wish to connect the camera to your computer.

/TRANSFERRING FILES

Using Card Reader (not included):

1. Ensure your YoCam is turned OFF.
2. Open the I/O Door and remove the MicroSD Card as instructed in 'Getting Started - INSERTING/REMOVING MICROSD CARDS' section.
3. Insert the MicroSD card into your card reader or use a SD Card Adapter (not included) if your card reader does not support MicroSD cards.

TIPS: When removing the MicroSD card from the card reader, please ensure that you eject it from your computer system and safely remove the MicroSD card to ensure no data is damaged in the process.

TRANSFERRING FILES TO SMARTPHONE

To play back your video and photos on a smartphone, you must first install our Mofily YoCam APP, you can check section GETTING STARTED - SETUP MOFILY YOCAM APP to download and install our APP, and then transfer the files to your smartphone.

/BATTERY

The Battery is fully charged to 100% in 1 hour 30 minutes (on standby or when turned off) when using Wall Charger with a minimum charging current of 5V/1A. Using the camera while charging or using a lower charging current than the recommended specification, may take longer to reach full charge.

The nature of Li-Ion battery of the camera, will allow you to use your camera without damaging the battery even if it is not fully charged.

HANDLING

The camera contains sensitive components, including the battery. Avoid exposing your camera to very cold or very hot temperatures. Low or high temperature conditions may temporarily shorten the battery life or cause the camera to temporarily stop working properly. Avoid dramatic changes in temperature or humidity when using the camera, as condensation may form on or within the camera.

/BATTERY

The camera housing protects the camera and battery from water damage. The camera is IP68 rated, which allows submersion of camera up to 30 meters for 1 hour. For proper care of your camera before and after using it underwater or coming in contact with water, please refer to the **GETTING STARTED - USING CAMERA UNDERWATER**. Do not dry the camera or battery with an external heat source such as a microwave oven or hair dryer. Damage to the camera or battery caused by contact with liquid is not covered under the warranty.



WARNING!

Do not drop, disassemble, open, crush, bend, deform, puncture, shred, microwave, incinerate or paint the camera. Do not insert foreign objects into the camera's MicroSD & Micro-USB ports. Do not use the camera if it has been damaged—for example, if cracked, punctured or harmed by water. Disassembling or puncturing the camera can cause an explosion or fire.

/MOUNTS& ACCESSORIES

For all Mount & Accessories installation guides, please visit : <http://www.getyocam.com/faq.html> and see under "YoCam Accessories"

AnyBar : <https://vimeo.com/163539428>

AnyBar+360 : <https://vimeo.com/163538021>



Magnetic : <https://vimeo.com/163538024>



/MOUNTS& ACCESSORIES

Clamp : <https://vimeo.com/163538023>



Adapter : <https://vimeo.com/163538019>



YoCam+Silicon Protect Case : <https://vimeo.com/174783528>



/MOUNTS& ACCESSORIES

YoCam+Vented Helmet Strap Mount :
<https://vimeo.com/174783527>



YoCam+Surfboard Mount : <https://vimeo.com/174783526>



YoCam+Clip : <https://vimeo.com/174635837>



/MOUNTS& ACCESSORIES

YoCam+Curve Mount : <https://vimeo.com/174783524>



YoCam+Lanyard : <https://vimeo.com/174635838>



/TROUBLESHOOTING

MY CAMERA WILL NOT TURN ON

Please ensure that your camera is fully charged! You may charge your camera using the supplied Micro-USB cable and connect to computer USB port or use any Wall Plug Charger with a minimum 1A/5V charging current.

MY CAMERA FREEZED! NO RESPONSE FROM ANY BUTTON I PRESS

Press and Hold the Power Button for over 8 seconds to reset your camera. This is only a Hardware Reset, it will not erase or change any settings.

MY VIDEOS ARE PLAYING REALLY SLOW OR CHOPPY

Please ensure you use a more codec friendly video players available in the market, most popular player would be 'VLC Video Player', if the problem persists:

1. Your computer specification doesn't meet the minimum requirement to play HD or higher quality videos. The higher the frame rate and resolution of your video is recorded in, the more the computer processing power is needed.

/TROUBLESHOOTING

2. You may be playing the video directly through a low bandwidth USB connection, please ensure your videos are saved on the computer before playback.

I FORGOT MY CAMERA WIFI PASSWORD OR THE DEFAULT PASSWORD IS NOT WORKING

To Factory Reset your camera, power on camera, turn on AP-WiFi (Wireless status light blinks in blue) and then press and hold wireless button and shutter button simultaneously for 5-7 seconds. After the beep, reset is completed. Or you can watch the video listed in our FAQ page.

For more Frequently Asked Questions, please visit our FAQ page: <http://www.getyocam.com/faq.html>

/CUSTOMER SUPPORT

MOFILY will dedicated in providing the best possible customer service, please visit our support page to contact our support team:

General inquiries: cs@mofily.com

Product and tech support: support@mofily.com

Business development: ray@mofily.com